

SPECIAL NOTES

1. Remember: On the **DRY** side, granules use no straw; On the **WET** side, liquids use a straw.
2. Liquid product is always "amount per gallon" recommended by the product manufacturer times the gallons of total spray you wish to make.
3. When spraying fish emulsion, liquid lime, or other heavy coarse materials it may be necessary to shake unit occasionally while spraying in order to maintain a good slurry mix. Use granule setting.
4. Water pressures vary across the country. Your 6005 will operate at 20 psi and above. As the pressure goes up your venturi works more efficiently, and draws material up faster. As your hose gets longer, resulting friction causes a pressure drop. Both factors can influence your walk speed. Common sense dictates here.

SPRAYING TIPS

- With your lawn and garden dealers' help, select the right sprays and sprayable granules for the job at hand. Follow label instructions exactly.
- Spray only when calm to prevent wind drift.
- Always water thoroughly before and after spraying liquid fertilizers.
- Spray trees and shrubs totally including branches, trunks and underside of leaves.
- Spray until plant begins to drip.
- Spray at first signs of conditions that you wish to control or correct.
- Spray early or late. Do not spray when hot weather (over 85°F) is expected within 24 hours.
- Do not spray pesticides to plants under moisture stress. Water them the day before spraying.
- When spraying granules such as lawn, rose and vegetable, cover areas evenly but do not dwell on one area too long. Use manufacturer's directions to determine application and coverage area you require.
- The product manufacturer's directions *always* will be the controlling factor.

CLEANING INSTRUCTIONS

Your sprayer will give you many years of service if it is properly maintained. You must clean the sprayer after every use. The thicker the product the more the need for careful cleaning increases.

- After removing unused portion from the jar, rinse with water.
- Fill jar with water and reattach the head to the jar.
- Put dial on all settings you have used and flush each one with quick bursts of water.
- For each setting, flush for at least one minute per setting.
- Turn off water at the faucet and remove sprayer from hose. Remove head from jar and rinse thoroughly.
- Clean out water holes by carefully poking a straight pin or bobby pin up through the bottom of the head with the dial set on hole you want to clean.

A small amount of time spent cleaning after each use will ensure the many years of service your SLIDE 'N SPRAY® is designed to provide.

FILLING INSTRUCTIONS

1. Unscrew jar from sprayer.
2. If using granules, remove straw from sprayer. If using liquid, make sure straw is attached to nipple on underside of sprayer.
3. Place jar on flat surface. Pour in amount of liquid that will provide the amount of product you want. (Multiply the parts per gallon shown on the product label times the number of gallons you wish to make.) As a guide we are listing below the approximate coverage in square feet for the four liquid and one granular quantities available to you. Coverage is based on average operating pressure of 40 psi.*

LIQUID SIDE

3 GALLONS UP TO 800 SQUARE FEET
6 GALLONS UP TO 2,000 SQUARE FEET
15 GALLONS UP TO 5,000 SQUARE FEET
20 GALLONS UP TO 7,500 SQUARE FEET

GRANULAR SIDE

1-1/4 POUNDS UP TO 1,000 SQUARE FEET
2-1/2 POUNDS UP TO 2,000 SQUARE FEET

* Coverage is estimated and may vary with working water pressure and walking speed.

4. Rotate product dial to desired setting. In the case of granules, you may use any quantity in the jar you wish.

LIQUID MEASUREMENTS

1 tablespoon (tbsp) = 3 teaspoons (tsp) or 15 milliliters
2 tablespoons = 1 fluid ounce (fl oz)
1 cup = 16 tbsp or 8 fl oz
1 pint = 16 fl oz (or 2 cups)
1 quart = 32 fl oz (or 2 pints)

LIMITED LIFETIME WARRANTY

Chapin Manufacturing, Inc., will, replace or repair this sprayer if found to be defective in material or workmanship. If your sprayer breaks or malfunctions call the Chapin Consumer Hotline at 1-800-950-4458 for details.



SLIDE 'N SPRAY®
Chapin Manufacturing, Inc.,
P.O. Box 547
Batavia, NY 14021-0549 USA
Visit our Web Site: www.chapinmfg.com

N
L
W
N
IT
DI
TH
U.

FEATURES

ADD PRODUCT, SELECT DIAL SETTING AND SPRAY

▲ UNIQUE DESIGN

Protected by two U.S. patents. Uniform droplets in three distinct accurate patterns for all your lawn and garden jobs.

▲ BACK FLOW PREVENTION DEVICE

Prevents flow of chemicals back into your water system.

▲ THREE SPRAY PATTERNS

Gentle rain, flat spray, and bullet stream. Select the coverage best for you. Treetop potential.

▲ FREE-TURNING HOSE SWIVEL

Easy to attach to your hose, even with a full jar.

▲ ON/OFF THUMB SWITCH

On a comfortable handle where it belongs. Easy to reach, easy to use. Either hand.

▲ PRECISION

Accurate mixture of chemical to water stream over the full range of pressures.

▲ VERY SPECIAL PRODUCT SELECTION DIAL

The one (and only) SLIDE 'N SPRAY™. Easy-to-turn dial. Clicks at each setting. Smooth, accurate and easy!

▲ LEAKPROOF

With water "OFF" and product dial "OFF" the SLIDE 'N SPRAY® is leakproof. If tipped, it will not leak contents.

▲ WET OR DRY

The only sprayer that can spray either liquid or powdered "Clog-Free™" type products. One sprayer does it all! The SLIDE 'N SPRAY® 6005 is the only sprayer you will ever need.

▲ AMERICAN-MADE QUALITY

High quality, impact resistant, long-lasting design. Wide mouth jar with large base for great stability and easy filling.

▲ SELECTION

Three distinct units: 6005 Combination Liquid and Clog-Free, 6003 Clog-Free Feeder, and 6004 Liquid Spreader (12 separate liquid settings).

INSTRUCTIONS FOR MODEL 6005 SLIDE 'N SPRAY™

COMBINATION WET AND DRY

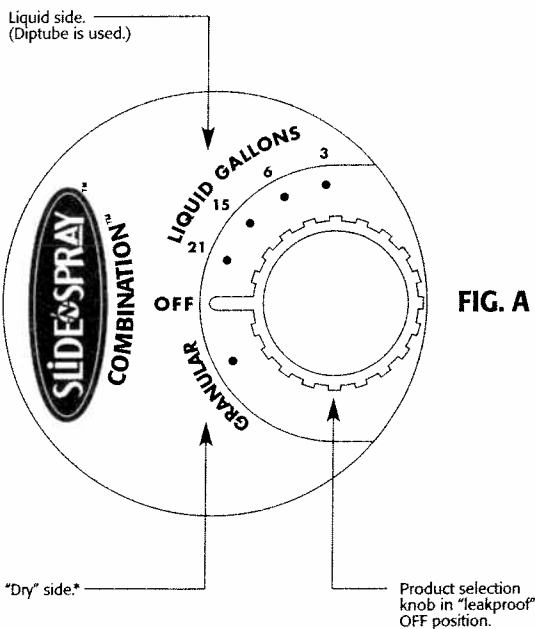
Model 6005 is the only hose end sprayer that will spray and apply either liquid products or dry granules typically supplied by "clog-free" manufacturers.

The most important point to realize is that the 6005 comes equipped with a straw/diptube attached to the sprayer.

THE STRAW/DIPTUBE MUST BE USED WHEN SPRAYING LIQUID AND CANNOT BE USED WHEN SPRAYING DRY GRANULAR MATERIAL.

1. When the liquid side of the dial is used, the straw/diptube must be attached.
2. When the dry side of the sprayer is used, the straw/diptube must be removed.

Please refer to the close-up illustration of the Model 6005 product dial illustrated below in Fig. A.



* Diptube must be removed.

THE DRY OR GRANULAR SIDE

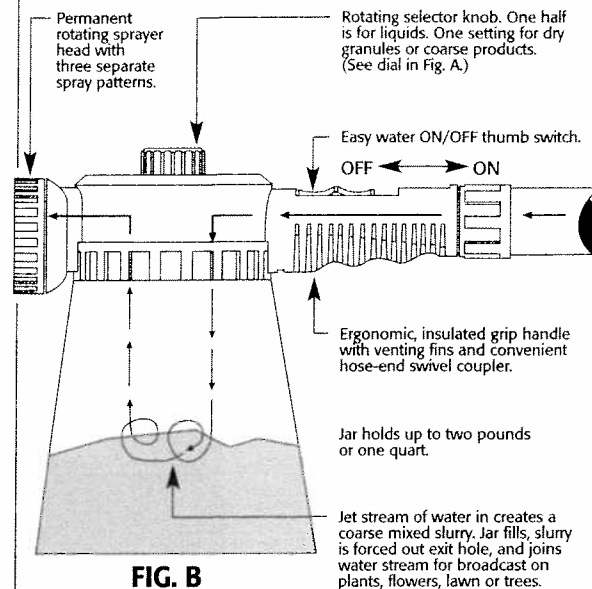


FIG. B

1. Remove sprayer from bottle and take straw off nipple on bottom of sprayer.
2. After removing straw, fill bottle with granules to the manufacturer's recommendation for coverage. Use the handy scale on the side of the label as a guide. Put sprayer back onto the bottle.
3. Screw sprayer on hose end using the convenient hose swivel. Make sure thumb switch on top of handle is pushed all the way FORWARD. This is the "OFF" position.
4. Dial your product knob counterclockwise to the "granule" setting found on the dry side of the dial. Select spray pattern you wish to by turning head on the front of the sprayer. Be sure water switch is in the forward or "OFF" position.
5. Turn on water spigot or faucet for hose. Be sure thumb switch is in the "OFF" position.
6. Slide thumb switch back as far as it can go to the "ON" position. Water will exit sprayer and begin to mix and fill jar with granules in it. This creates a slurry which will begin to exit sprayer when jar contents are full. Note: color of granules (as selected by the manufacturer) will, when you begin, be seen as dark color and then will gradually lighten as you proceed. When the jar is clear you are done. Unscrew jar and dump contents on your favorite plant! Follow the manufacturer's directions for coverage.
7. Some products other than granules simply will not flow through a regular liquid-type sprayer because they are too coarse. A clog-free sprayer is the only way to spray them.

Fish emulsion, liquid iron, liquid sulfur, or liquid lime are good examples. Just switch to the setting on the "dry" side and follow the same directions outlined above.

8. When the product selector knob is in the "OFF" position, you may use your SLIDE 'N SPRAY® as a watering tool for your plants.

THE LIQUID SIDE

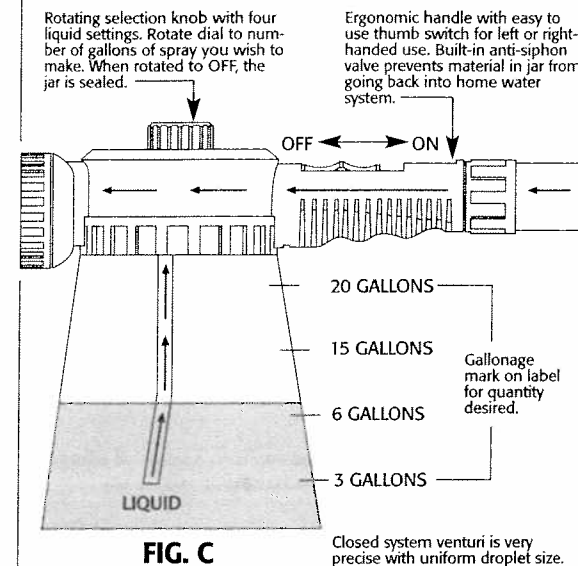


FIG. C

SPRAY PATTERN DETAIL

DO NOT TURN WATER ON WHEN ADJUSTING SPRAY NOZZLE

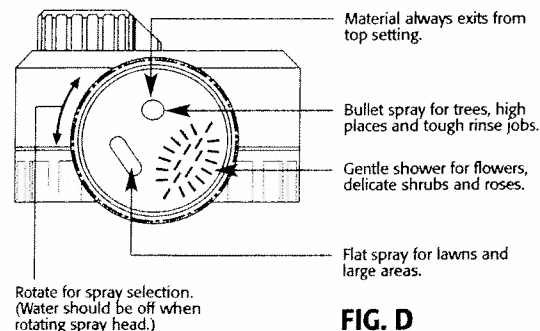


FIG. D